



CAR SECURITY

SPECIFIC VEHICLE ALARM FITTING INSTRUCTIONS

REV. 00

www.cobra.it

MAKE

FIAT

MOD.

STILO*

YEAR

02 →

PETROL
DIESEL

* Models with original equipment keyless entry system.

ALARM/SIREN POSITION

Position the compact alarms and the sirens on the member behind the passenger's side headlamps.

CENTRAL UNIT POSITION

The modular systems and the modules should be positioned under the dashboard, driver's side. Pass the cables through the original rubber sleeve located in the bulkhead that divides the engine compartment and the passenger's compartment, passenger's side.

POWER SUPPLY

+ 30: connect to the 4 mm² WHITE/RED wire located in a multiway connector, in the fuse box.
- 31: connect to one of the ground wires behind the left lateral bulkhead, driver's side.

IGNITION WIRE

+ 15/54: connect to the BLUE wire, at the position nr. 14, of the 20 way brown connector, in the former part, on the right, of the fuse box, under the dashboard, driver's side.

DIRECTION INDICATORS

Connect to the wires making reference to the **A section** of the **diagram nr. 122**.

ELECTRIC WINDOWS

Comfort closing

Negative control signal

The window's locking is obtained timing the same wire that is used for the door's locking.

ACTIVAT./DEACTIVATION CONTROLS

Connections antitheft/vehicle

38XX

Vehicle	Position
GREY/BLACK	ground
YELLOW/BLACK	Pos. nr.12, 40 way black connector, fuse box
VIOLET/WHITE	Car body
ORANGE	Car body
VIOLET	Car body
ORANGE/WHITE	Car body

For the connection make reference to the **diagram nr. 123**.

IMMOBILISATION POINT

Fuel pump

Cut the VIOLET/YELLOW wire, at the position nr. 32, located in the wiring harness coming out of the 32 way black connector, in the front part, on the left, of the fuse box, under the dashboard, driver's side

STARTER

+50: Cut the wire at the position marked "+50", located in the wiring harness coming out of the connector of the ignition key.

BONNET SWITCH

Install an additional switch on the front headlamp support plate, driver's side.

DOORS SWITCH

Connect to the WHITE wire, at the position nr. 21, located in the wiring harness coming out of the 40 way black connector, in the lower part, on the left, in the fuse box, under the driver's side dashboard. Connect the wire making reference to the **B section** of **diagram nr. 122**.



CAR SECURITY

SPECIFIC VEHICLE ALARM FITTING INSTRUCTIONS

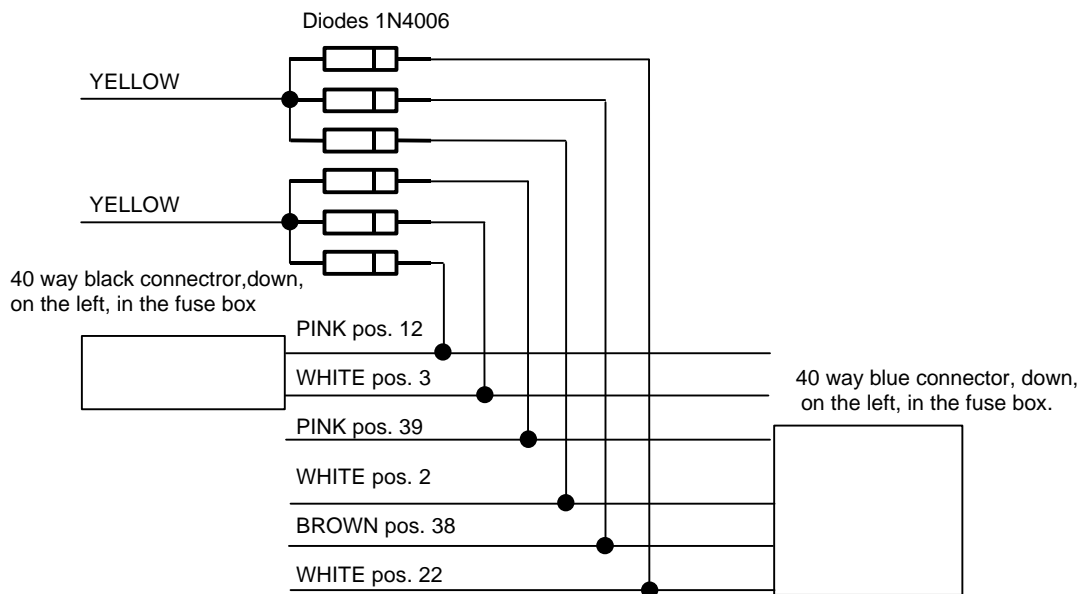
REV. 00

www.cobra.it

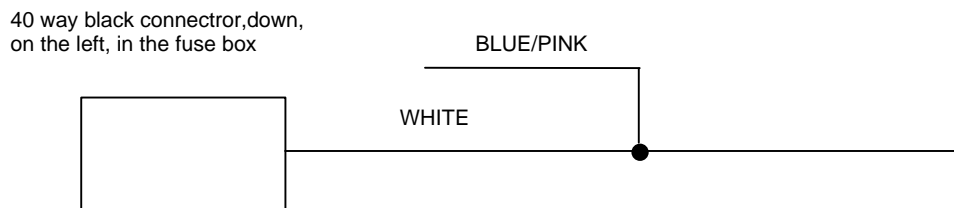
FITTING DIAGRAM N° 122

Diagram for direction indicators connection and for doors and boot perimetrical connection on **FIAT STILO** year 2002

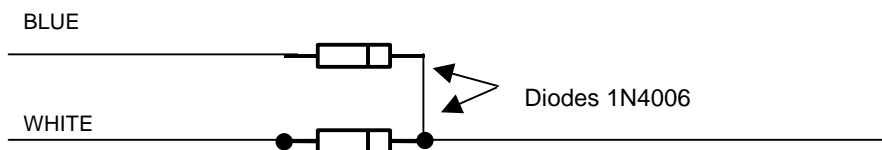
A section
Direction indicators connection



B section
Doors perimetrical connection



C section
Boot perimetrical connection





CAR SECURITY

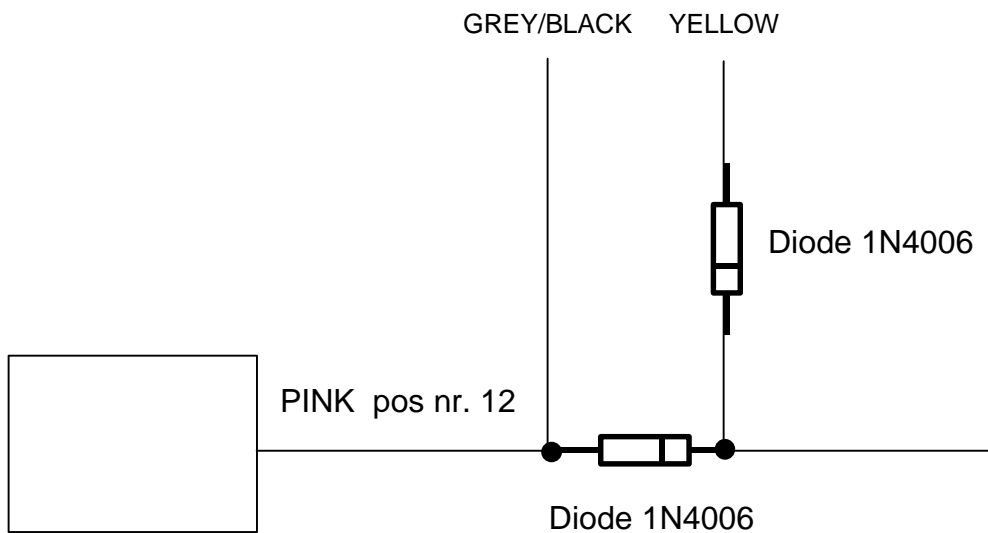
SPECIFIC VEHICLE ALARM FITTING INSTRUCTIONS

REV. 00

www.cobra.it

FITTING DIAGRAM N° 123

Diagram for activation/deactivation of 3800 serie antithefts on
FIAT STILO year 2002



40 way black connector located down, on the left of the fuse box.